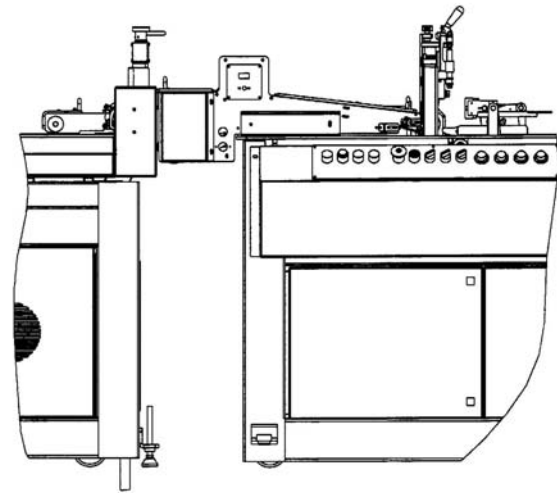
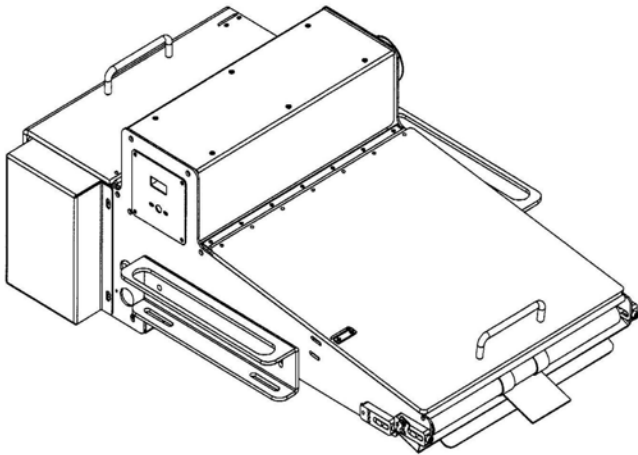


KR412 Shuttle Bypass



Convert your KR215IJ base into an inline base and Tab or Label before Inkjetting !



KR412 Shown with KR535 TabMaster and KR215IJ

Features:

- ◆ Mounts to existing holes on KR215 bases.
- ◆ Top belt ensures smooth transition to feed rollers.
- ◆ Stop-in and Stop-out controls.
- ◆ Automatic thickness adjustment to 3/16"
- ◆ Industry standard motors and controls
- ◆ Runs in-line with most tabbing systems

Specifications:

- ◆ Electrical Requirements: 120 VAC
50/60 Hz
2 amps
- ◆ Maximum Operating Speed: 600 fpm
Note: Production speeds are product dependent.
- ◆ Physical Size:
Length: 27.00"
Width: 18.25"
Height: 10.69"
- ◆ Media: Minimum: 3.5"W x 5.0"L
Maximum: 11.0"W x 11.0"L
Thickness: single sheet – 3/16"

**Specifications subject to change without notification.

**Guards may have been removed for clarity; do not operate machine without guards in place.